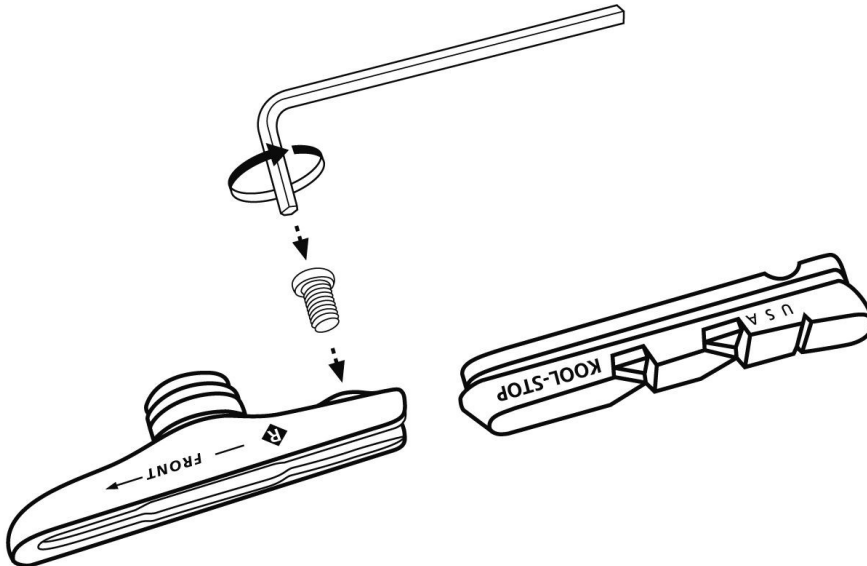




INSTALLATION INSTRUCTIONS

REPLACEMENT PADS

- Dura Type
- Dura 2



- Remove keeper screw from holder.
- Slide old pad out of holder.
- Insert replacement pads: left pad in left holder and right pad in right holder so that notch lines up with keeper screw in pad holder.
- Replace keeper screw.

IMPORTANT: Designed for bicycle use only. Do not ride bike until brakes are checked and functioning properly. All Kool-Stop Pads meet or exceed C.P.S.C. and D.I.N bicycle standards\$